

# GARDEN 1



## TRIGGER SPRAYER PISTOL 7 IN 1

Code	Model	Packing
162475	2050	58



## ADJUSTABLE SPRAY PISTOL

Code	Model	Packing
162473	2008G	48



## 3 ARM ROTARY SPRINKLE (GREY)

Code	Model	Packing
	4608H	48



## ADJUSTABLE NOZZLE (BULK)

Code	Model	Description	Packing
156534	2102	1/2" Hose	48
156536	2011	1/2" Hose	48



## SNIP IN 2 WAY COUPLING

Code	Model	Packing
156530	4021	24



2008



2007

## NOZZLE SPRAYER - HEAVY DUTY

Code	Model	Size	Packing
	2008		12/Box
	2007	1/2" HOSE	12/Box

## PREMIUM GREY TAPE CONNECTOR

Code	Size	Packing
	3/4"	



## PREMIUM GREY TAPE CONNECTOR

Code	Size	Packing
	1/2"	36/Box



4011



4012



## TAP CONNECTOR (BULK)

Code	Model	Type	Packing
156537		M1/2"	36/Box
156538		F3/4"	36/Box

### AUTO SHUT OFF



4110



4111



## TAP CONNECTOR (BULK)

Code	Model	Type	Packing
	4110	1/2"	36/Box
	4111	1/2"	36/Box



## PREMIUM GREY TAPE CONNECTOR

Code	Size	Packing
	1/2"	36/Box

## GARDEN 2



### HEDGE SHEAR W WOOD HANDLE

Code	Model	Brand	Packing
	821 - 9"	SECURE	24



### LOPPING SHEAR - EXTEND

Code	Size	Brand	Packing
162163	21" - 33"	SECURE	12



### GARDEN TOOL SET

Code	Model	Description	Packing
162163	5783	A, C, D Individual A, C, D	24



### GARDEN TOOL SET

Code	Model	Description	Packing
	546	A, C, D	50



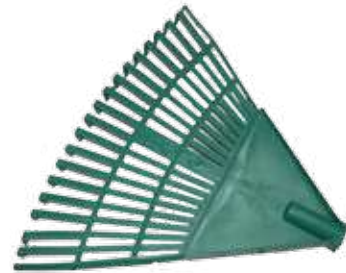
### PRUNING SHEAR - STARMAN

Code	Model	Description	Packing
172985	851SP	7.5" Straight	6/60



### METAL CRAWL - ( RAKE )

Code	Model	Description	Packing
156433	22T	w/o handle	50



### PLASTIC CRAWL - ( RAKE )

Code	Model	Description	Packing
156436	21T	w/o Handle	60



### SICKLE

Code	Model	Size	Packing
162454	S1205	8"	120



### TRIMMING LINE (NYLON)

Code	Size (mm)	Description	Packing
156430	2.4mm	1 LB	

## GARDEN 3



### UMBRELLA

Code	Description	Packing
156173	ROUND c/w Metal Stand Metal Stand for Round Umbrella	



### UMBRELLA

Code	Description	Packing
156174	SQUARE c/w Metal Stand Metal Stand for Square Umbrella	



### CANOPY

Code	Size (M)	Description	Packing
200018	3 x 3	Blue	
200019	3 x 3	Green	
197365	3 x 3	Red	

# Hose 1



## WASHING MACHINE ADAPTOR

Code	Description	Packing
156759	Adaptor A+B	50/Ctn
156758	Adaptor A	50/Ctn



## WASHING MACHINE INLET HOSE - JAPAN MODEL

Code	Size	Packing
161842	1/2" x 1.5M	30
161843	1/2" x 2.0M	30
161844	1/2" x 2.5M	30
161845	1/2" x 3.0M	30
162149	1/2" x 4.0M	30
162150	1/2" x 5.0M	30



## WASHING MACHINE OUTLET HOSE

Code	Size	Packing
161846	1" x 1.5M	40/ctn
161847	1" x 2.0M	40/ctn
161848	1" x 2.5M	40/ctn
161850	1" x 3.0M	40/ctn



## WASHING MACHINE OUTLET HOSE - ORIGINAL

Code	Size	Packing
161849	2.0M (25.6 x 28.7mm)	30



## GREEN NET HOSE ONLY

Code	Size	Brand	Packing
156495	16mm x 1.8mm x 10m	WINSIR	
156496	16mm x 1.8mm x 15m	WINSIR	
156497	16mm x 1.8mm x 20m	WINSIR	
156498	16mm x 1.8mm x 30m	WINSIR	



## ORANGE GARDEN HOSE

Code	Size	Brand	Packing
156504	16mm x 5m 1.7mm	G H	
156500	16mm x 10m 1.7mm	G H	
156501	16mm x 15m 1.7mm	G H	
156502	16mm x 20m 1.7mm	G H	
156503	16mm x 30m 1.7mm	G H	



## Y/G GARDEN HOSE

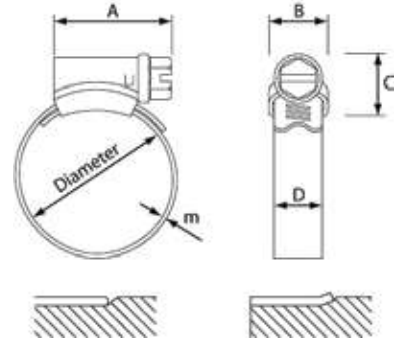
Code	Size	Packing
156505	16mm x 2.0mm x 10m	
	16mm x 2.0mm x 30m	



## L-TYPE WASHING MACHINE HOSE-2.0M

Code	Size	Brand	Packing
162477	2.0M	WINSIR	50/ctn

## Hose 2



"SOBAR" HOSE CLIPS MADE FROM FINEST BRITISH STEELS AND FINISHED IN PASSIVATED ZINC TO GIVE DOUBLE PROTECTION  
\*British Standard 5315 Worm Drive Hose Clip

### WASHING MACHINE ADAPTOR

Code	Size	Size	Packing
155907	OOO (9-13mm)	SOBAR	100/2000
155921	MOO (13-16mm)	SOBAR	100/2000
155906	OO (13-19mm)	SOBAR	100/2000
155905	O (16-22mm)	SOBAR	100/1200
155908	OX (19-25mm)	SOBAR	100/1200
155910	1A (22-29mm)	SOBAR	100/1200
155909	1 (25-35mm)	SOBAR	100/1000
155911	1X (28-41mm)	SOBAR	50/1000
155913	2A (31-50mm)	SOBAR	50/600
155912	2 (38-54mm)	SOBAR	50/600
155914	2X (45-60mm)	SOBAR	50/600
155915	3 (50-70mm)	SOBAR	50/600
155916	3X (60-80mm)	SOBAR	50/600
155917	4 (70-90mm)	SOBAR	25/300
162341	4X (85-100mm)	SOBAR	25/300
155918	5 (95-115mm)	SOBAR	25/300
155919	6 (104-127mm)	SOBAR	25/300
155920	6X (120-140mm)	SOBAR	25/300
	7 (146-159mm)	SOBAR	150
	8 (149-178mm)	SOBAR	150
	9 (175-203mm)	SOBAR	100
	10 (200-229mm)	SOBAR	100
	11 (225-254mm)	SOBAR	100
	12 (251-281mm)	SOBAR	100

It used for wide variety of general applications & are considered as one of the most reliable hose clips available throughout the world market today. Made from the finest steels & finished in double passivated zinc for longer protection against corrosion. The housing is riveted for extra strength. No weld or spot welding. The screw is made from high tensile steel for smooth assembly & stronger application. Sobar Hose Clips are available in 24 different sizes either in bright passivated zinc or golden colour passivated zinc.

Size	A (mm)	B (mm)	C (mm)	D (mm)	E (mm)	N.W.	Kgf.cm
OOO – OO	19	12.3	10	9.5	0.85	3.5	30
O – OX	24	14.7	11.5	12	0.93	4.4	37.5
1A – 1X	24	14.7	11.5	12	0.93	5.2	45
2A – 2X	33	14.7	11.5	12	0.93	6.1	52.5
3 – 12	33	14.7	11.5	12	0.93	6.9	60



### HOSE CLIP - THUMBSCREW

Code	Size	Brand	Packing
155307	13-19	CHINA	100



### METAL PIPE HOSE CLAMP

\*For Oil Palm Pipe

Code	Size	Brand	Packing
156932	38	SOBAR	150
156933	45	SOBAR	150

## Hose 3



### PVC REINFORCED HOSE

Code	Size ID	Thick (mm)	W.P/B.P (MPa)	Length M
159945	1/4"	2.0	0.8/2.4	100M
159946	5/16"	2.0	0.8/2.4	100M
159934	5/16"	2.5	1.0/3.0	100M
159933	3/8"	2.0	0.7/2.5	100M
159947	3/8"	2.5	0.8/3.0	100M
159935	1/2"	2.5	0.7/1.8	100M
159936	5/8"	3.0	0.8/1.7	50M
159939	3/4"	2.5	0.5/1.4	50M
158840	3/4"	3.0	0.6/1.6	50M
159941	1"	3.0	0.4/1.1	50M
159942	1"	3.5	0.5/1.2	50M
159943	1 1/4"	4.0	0.5/1.2	30M
159944	1 1/2"	4.0	0.5/1.5	30M
159937	2"	4.0	0.4/1.1	30M



### PVC REINFORCED HOSE

Code	Size ID	Thick (mm)	W.P/B.P (MPa)	Length M
162273	5/16"	2.5	0.8 / 3.0	45M
159938	5/8"	2.0	0.6/1.6	50M



### Non Torsion/Twist Green Garden Hose

\* Single Polyester Net Reinforcement  
 \*Anti Twist/Bend, Withstand Water Pump Pressure  
 W.P/B.Pressure : 0.8/3.0 Mpa

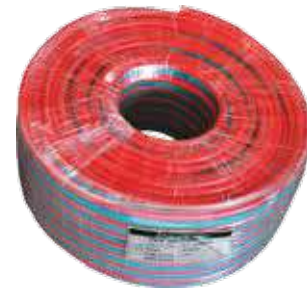
Code	Size	Brand	Packing
159929	1/2" x3.0 x15m	LASER	
159930	1/2" x3.0 x30m	LASER	
159931	1/2" x3.0 x50m	LASER	
196695	5/8" x3.0 x30m	NIETZ-X	



### OXY- TWIN LINE HOSE (RED/GREEN)

Light Weight, Anti-Erosion, Resistant To Fire, High Pressure  
 Temp. Range: -50C-65oC, WP:BP 4/12MPa, NW: 25.4Kg

Code	Size	Brand	Length
159932	6 x 13	LASER	90M



### OXY- TWIN LINE HOSE (RED/BLUE)

Temp. Range: -50C-65oC, WP:BP 3/9MPa, NW: 14.8Kg

Code	Size	Brand	Length
161831	6 x 11	DAEJEON	90Y



### YELLOW PVC SPRAY HOSE - SOBAR

\* Single Polyester Net Reinforcement. G.W. 11.02, Tata 10.4 kg

Code	Size	Length
161594	8 X 14	20 / 300



### 3/2 LAYER HIGH PRESSURE HOSE- LASER

\* Double Polyester Net Reinforcement  
 \* Operation Temp: -50C - 60oC

Code	ID x OD	bar / psi	Length
157192	8..0 X 14.0	40 / 600	100m
157191	9.5 X 16	40 / 600	100m
157189	12.5 X 20	30 / 450	100m
157190	19 X 28.0	20 / 300	100m