

CZ 'HEAVY DUTY' VERTICAL PLATE CLAMPS



Heavy duty plate clamps with safety lock

Working load limit (WLL) 1000 - 30000kgs

These clamps are primarily used for transporting sheet metal and steel plates in the vertical position, as well as lifting and rotating through 180°.

They can also be used for transporting steel constructions and profiles. It is recommended to use a pair of plate clamps in conjunction with a spreader beam for long materials which have a tendency to sag or flex.

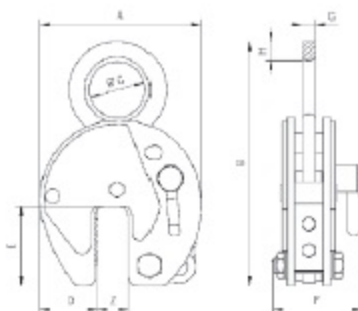
Function

The jaw is opened and closed with the locking lever. The safety lock spring loads the cam jaw, preventing the clamp from opening even when there is no load.

Workmanship and parts

These plate clamps are service-friendly, making it easy to exchange parts, which are readily available. Clamp repairs are available through the factory, or can be done by a competent person.

NB: The plate surface of the material must have a hardness level below HRC 30/Brinell 300.



| Model | WLL kgs* | Jaw (Z) capacity mm | A mm | B mm | C mm | D mm | E mm | F mm | G mm | H mm | Weight kgs** |
|--------|--------------|---------------------------|---------|---------|---------|---------|---------|---------|---------|---------|-----------------|
| CZ 1 | 100 - 1000 | 0 - 20 | 140 | 254 | 51 | 48 | 70 | 83 | 13 | 19 | 4 |
| CZ1L | 100 - 1000 | 20 - 40 | 161 | 280 | 51 | 48 | 70 | 83 | 20 | 19 | 5 |
| CZ 2 | 200 - 2000 | 0 - 32 | 197 | 323 | 67 | 68 | 93 | 110 | 20 | 20 | 11 |
| CZ 2L | 200 - 2000 | 30 - 60 | 228 | 330 | 67 | 68 | 93 | 110 | 20 | 20 | 13 |
| CZ 3 | 300 - 3000 | 0 - 32 | 197 | 371 | 80 | 68 | 93 | 110 | 20 | 30 | 12 |
| CZ 3L | 300 - 3000 | 30 - 60 | 228 | 390 | 80 | 68 | 93 | 110 | 20 | 30 | 15 |
| CZ 4 | 480 - 4000 | 0 - 32 | 197 | 371 | 80 | 68 | 93 | 129 | 20 | 30 | 12 |
| CZ 4L | 480 - 4000 | 30 - 60 | 228 | 390 | 80 | 68 | 93 | 129 | 20 | 30 | 18 |
| CZ 6 | 720 - 6000 | 0 - 50 | 293 | 484 | 89 | 95 | 143 | 129 | 25 | 35 | 21 |
| CZ 6L | 720 - 6000 | 50 - 100 | 362 | 524 | 89 | 95 | 143 | 129 | 25 | 35 | 28 |
| CZ 8 | 960 - 8000 | 0 - 50 | 293 | 492 | 89 | 95 | 143 | 129 | 25 | 42 | 26 |
| CZ 8L | 960 - 8000 | 50 - 100 | 362 | 524 | 89 | 114 | 143 | 129 | 25 | 42 | 32 |
| CZ 10 | 1500 - 10000 | 0 - 50 | 293 | 545 | 110 | 95 | 143 | 139 | 25 | 45 | 30 |
| CZ 10L | 1500 - 10000 | 50 - 100 | 362 | 545 | 110 | 114 | 143 | 139 | 25 | 45 | 37 |
| CZ 12 | 1800 - 12000 | 0 - 50 | 360 | 613 | 130 | 125 | 162 | 154 | 30 | 55 | 54 |
| CZ 12L | 1800 - 12000 | 50 - 100 | 460 | 678 | 130 | 175 | 162 | 154 | 30 | 55 | 63 |
| CZ 15 | 3000 - 15000 | 0 - 50 | 360 | 613 | 130 | 125 | 162 | 204 | 45 | 55 | 75 |
| CZ 15L | 3000 - 15000 | 50 - 100 | 460 | 678 | 130 | 175 | 162 | 204 | 45 | 55 | 88 |
| CZ 20 | 4000 - 20000 | 0 - 65 | 462 | 755 | 130 | 165 | 210 | 235 | 45 | 65 | 123 |
| CZ 20L | 4000 - 20000 | 65 - 130 | 560 | 805 | 130 | 195 | 210 | 235 | 45 | 65 | 136 |
| CZ 30 | 6000 - 30000 | 0 - 65 | 462 | 732 | 80 | 165 | 210 | 295 | 65 | - | 195 |
| CZ 30L | 6000 - 30000 | 65 - 130 | 560 | 797 | 80 | 195 | 210 | 295 | 65 | - | 295 |

PLEASE NOTE: Units are supplied as standard with a hook ring. Link fitting and chain are available on request as a special order. Also available with 'Sharp Leg' body shell or extra thick shell plates for dragging. Please contact sales team for further details and prices.
*Per clamp. **Weight per clamp with hook ring.