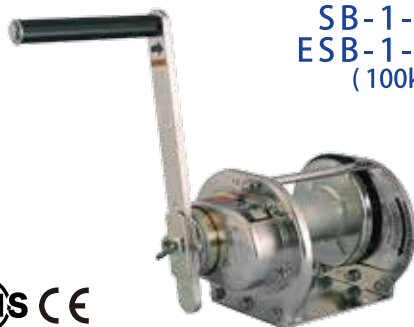


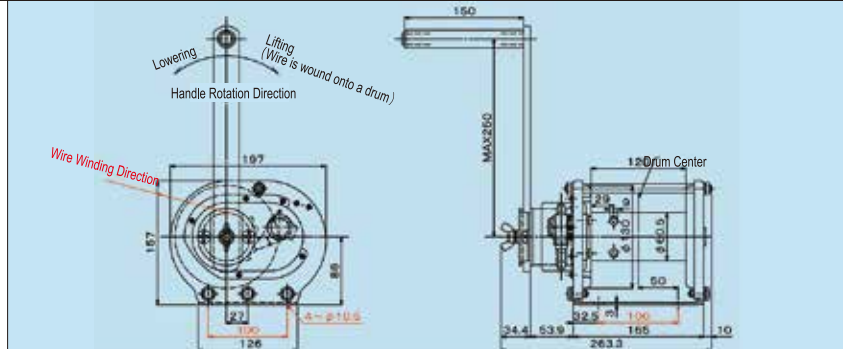
Stainless Steel (Rotating) Winch Buffing (SB) • Electropolishing (ESB)

※ To order, please specify either buffing or electrolytic polishing. Because there is a difference in the price, please contact us for details.
 ● Select this type when the handle can rotate 360 degrees on mounting position.




SB-1-SI
ESB-1-SI
(100kgf)

RoHS CE

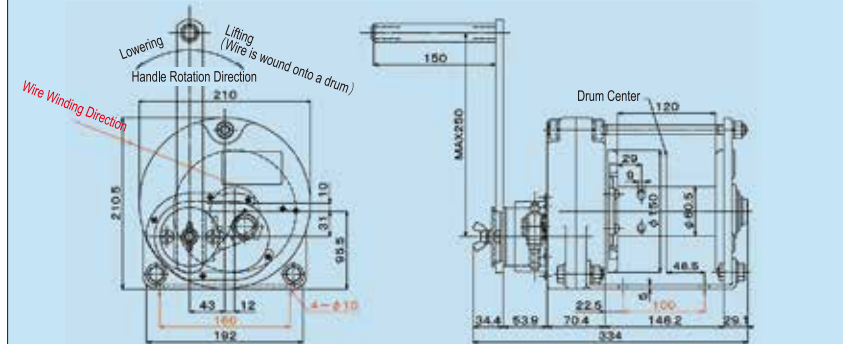


Model	SB-1-SI ESB-1-SI	Drum Capacity	φ 5 mm × 35 m (6 Layers Winding)	Handle Force Handle Length (Effective Max.) 250 mm	Winding Layer Number of Wire Rope	Gear Ratio	1 / 1
Wire Rope Tension	980N (100kgf) 4th Layer or Less				1st Layer : 143N (14.6kgf) 3rd Layer : 187N (19.0kgf) 4th Layer : 208N (21.2kgf)	Weight (Body + Handle)	




SB-3-SI
ESB-3-SI
(300kgf)

RoHS CE

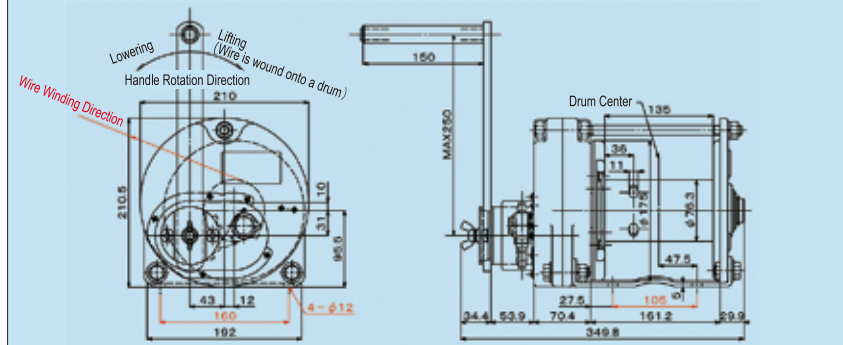


Model	SB-3-SI ESB-3-SI	Drum Capacity	φ 6 mm × 32 m (6 Layers Winding)	Handle Force Handle Length (Effective Max.) 250 mm	Winding Layer Number of Wire Rope	Gear Ratio	1 / 6.25
Wire Rope Tension	2,940N (300kgf) 5th Layer or Less				1st Layer : 76N (7.7kgf) 3rd Layer : 103N (10.5kgf) 5th Layer : 131N (13.3kgf)	Weight (Body + Handle)	




SB-5-SI
ESB-5-SI
(500kgf)

RoHS CE

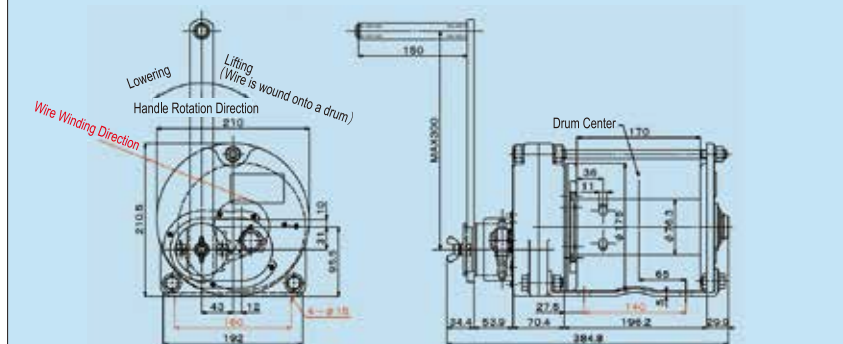


Model	SB-5-SI ESB-5-SI	Drum Capacity	φ 6 mm × 40 m (6 Layers Winding)	Handle Force Handle Length (Effective Max.) 250 mm	Winding Layer Number of Wire Rope	Gear Ratio	1 / 8.9
Wire Rope Tension	4,900N (500kgf) 5th Layer or Less				1st Layer : 109N (11.1kgf) 3rd Layer : 142N (14.4kgf) 5th Layer : 174N (17.7kgf)	Weight (Body + Handle)	



SB-10-SI
ESB-10-SI
(1,000kgf)

RoHS CE



Model	SB-10-SI ESB-10-SI	Drum Capacity	φ 8 mm × 35 m (5 Layers Winding)	Handle Force Handle Length (Effective Max.) 300 mm	Winding Layer Number of Wire Rope	Gear Ratio	1 / 12.6
Wire Rope Tension	9,800N (1,000kgf) 3rd Layer or Less				1st Layer : 133N (13.5kgf) 2nd Layer : 157N (16.0kgf) 3rd Layer : 182N (18.5kgf)	Weight (Body + Handle)	